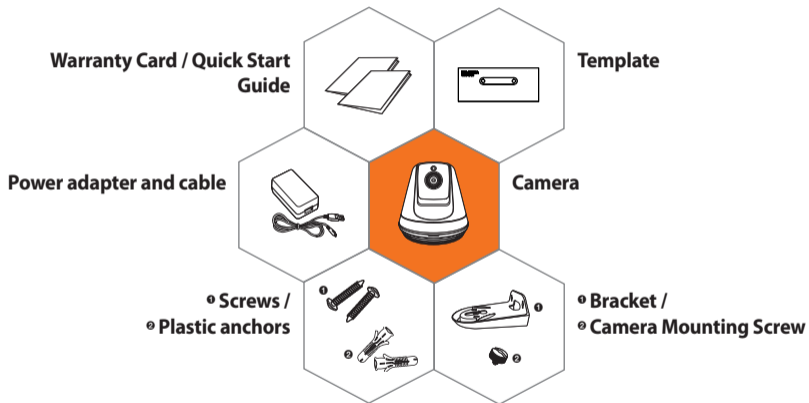


SAMSUNG
WISeNET

WISeNET SMARTCAM

Quick Start Guide

What's in the box



※ Please do not lose the camera mounting screw when you open the package contents. The camera mounting screw is needed when you mount the camera onto the bracket.

System Requirements



- ✓ **Wi-Fi 802.11 b/g/n**
- ✓ **Recommended : 3.5Mbps or higher**

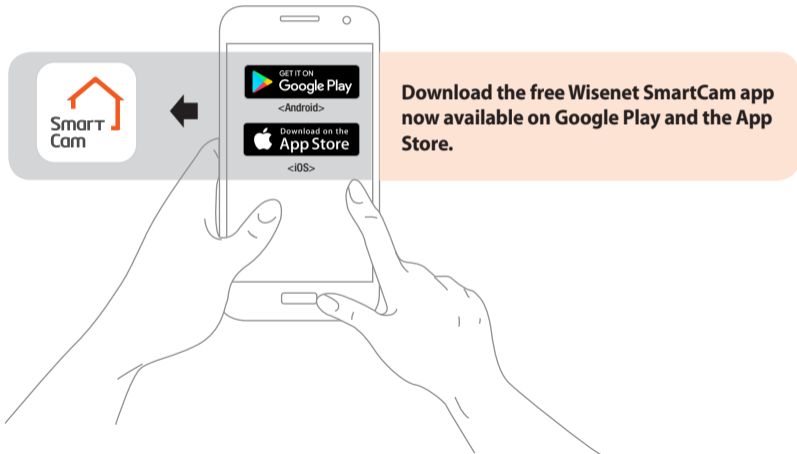


- ✓ **iOS 8 or higher**
- ✓ **Android OS 5.0 or higher**

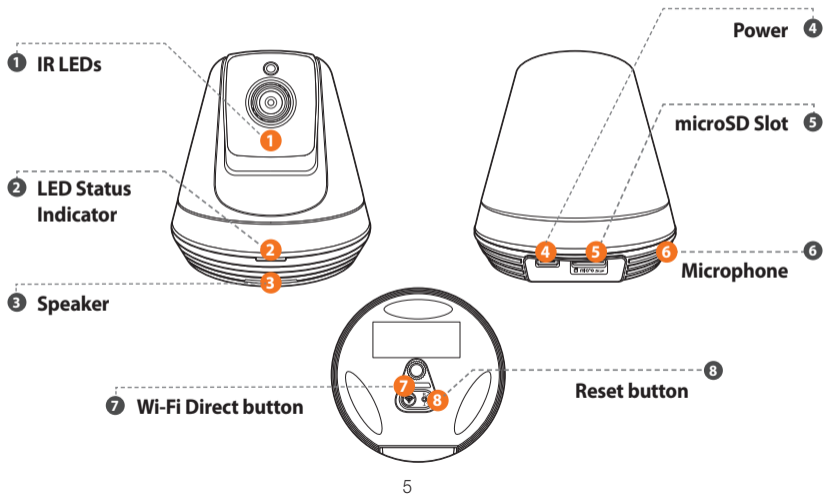


- ✓ **Windows 7/8 or higher**
- ✓ **Mac 10.7 or higher**

Mobile Application

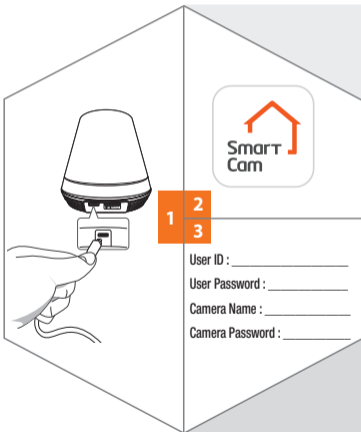


Camera Overview



Camera setup and registration

Plug-in the power adapter to the wall and connect the camera as shown.

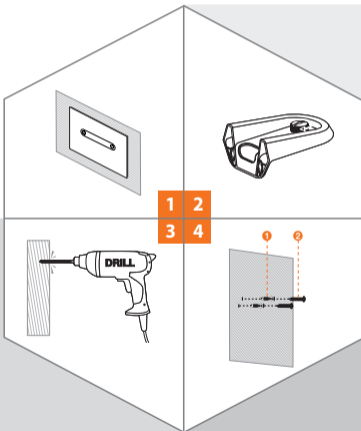


Open the WiseNet SmartCam app and create an account. Follow the on-screen instructions to register.

Save your Account and Device information here.

Mounting the Camera

Attach the template to the wall.



Insert the camera mounting screw into the bracket hole at the bottom of the bracket and turn it clockwise to assemble it.

Drill the holes about 1.2 inches deep into the wall.
(Recommended Drill Bit size 0.2 inches)

① Insert the anchors completely into the holes.
② Drill the screws into the anchor holes. Leave 3mm of space between the wall and the screw heads.

Mounting the Camera

<Upright Installation>
Hang the bracket using the screws and lower it to the direction in which you intend to install.



5 6
7 8



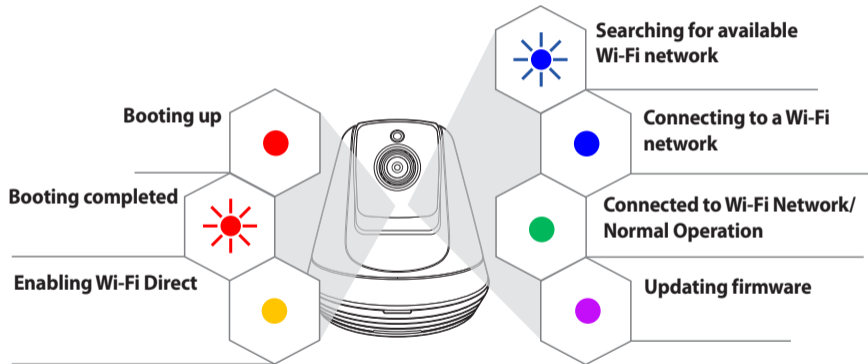
<Upside down Installation> Hang the bracket using the screws and lower it to the direction in which you intend to install.

Tighten the screws until the bracket is firmly held in place.



① Mount the camera onto the bracket.
② Tighten the camera mounting screw to secure the camera.

LED Status Guide



SAMSUNG
wiSeNET